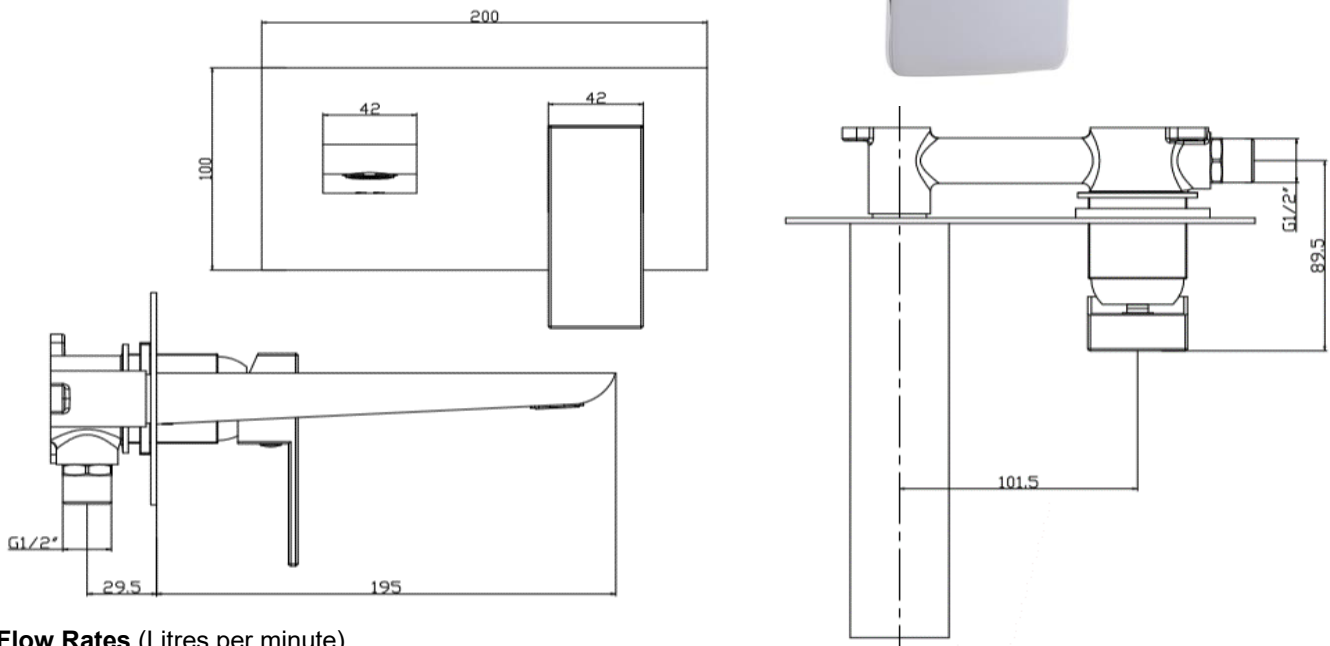
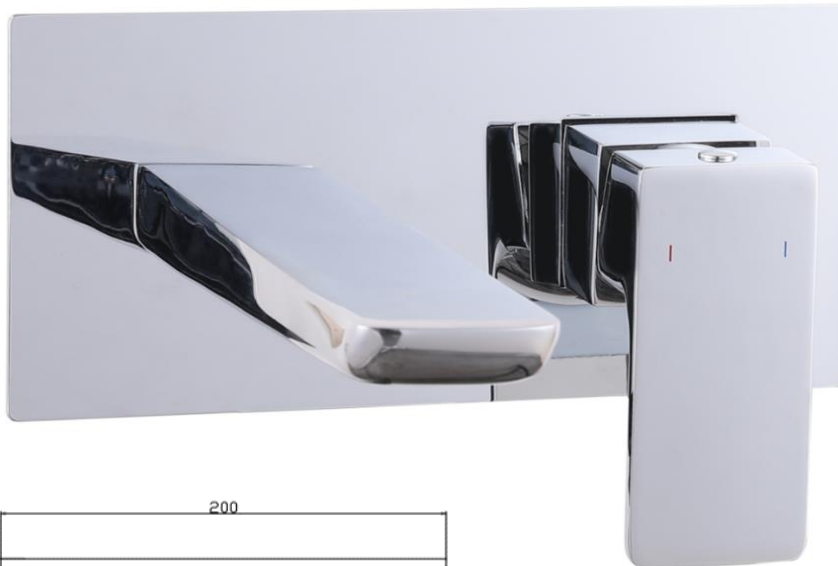


TECHNICAL DATA SHEET

TVOI18 Wall Mounted Basin Mono Mixer

Barcode	0729557187919
Product Code	TVOI18
Construction	Brass Body (CuZn40Pb2), EN CW617N (equivalent to BS CZ122); Zinc-alloy Handle; Stainless steel Face plate
Finishes	Chrome plated to BS EN 248
Product Type	Contemporary
Water Pressure	Min. 0.2 bar, Max. 6.0 bar
Plumbing Systems	Suitable for all plumbing systems, Hot and Cold water pressure preferably balanced Max. supply pressure differential requirement no greater than 5:1
Standards	Complies with BS5412, BS EN200
Certification	-
Cartridge	35mm WANHAI Ceramic disc cartridge
Aerator	M24*1 Spout aerator
Fitting	Two G1/2" x G1/2" BSP Flexible inlet connection hoses supplied (hot and cold)
Packaging	46.5 x 39.5 x 26cm / carton (8 boxes); Dimension: 22 x 19 x 12cm / box; Weight: 2.19Kg / box
Guarantee	10 years against manufacturing faults (excluding serviceable parts)



Flow Rates (Litres per minute)

System Pressure	0.1 Bar	0.2 Bar	0.3 Bar	0.5 Bar	1.0 Bar	1.5 Bar	2.0 Bar	3.0 Bar	4.0 Bar	5.0 Bar
TVOI18	-	4.0	-	5.8	7.7	9.5	11.0	13.6	-	-

The information contained on this page was correct at date of issue. Fitting dimensions are provided as a guide only. Some variation may occur due to manufacturing tolerances. We pursue a policy of continuing improvement in design and performance of our products and so reserve the right to change specifications without prior notice.