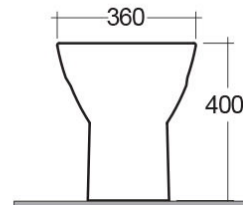
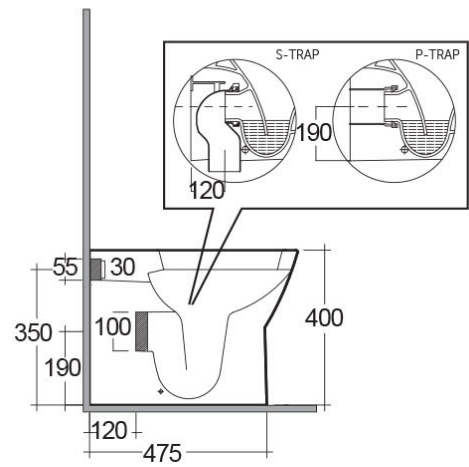
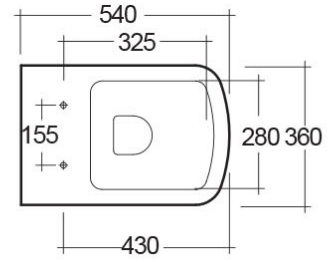


RAK-SUMMIT

Back to Wall | Water Closet

RAK
CERAMICS



Technical specifications

Dimensions: 540 x 360 mm

Weight: 25 Kg

Color: Alpine White

Trap type: P Trap

Trapway type: Concealed

Seat cover options: Urea

Bowl shape: Rectangle

Soft close: yes

Dual flush: yes

Suites: [RAK-SUMMIT](#)

Code **Name**

SUMBTWPAN SUMMIT WATER CLOSET BACK TO WALL P|S-TRAP 54CM

Dimensions: All dimensions in mm tolerance $\pm 5\%$ for below 200mm and $\pm 3\%$ for above 200mm.

Note: Due to a continuing development programme to improve design and performance, the manufacturer reserves all rights to vary specifications without prior information.

Please note accessories are for photographic use only.