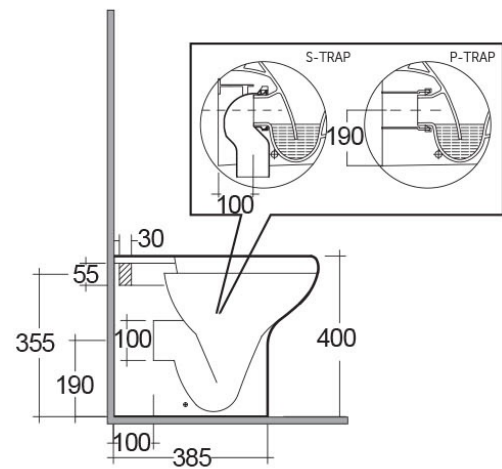
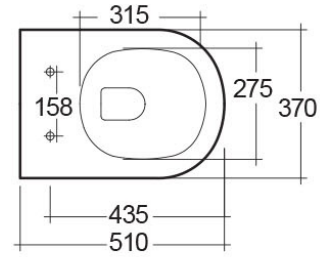


# RAK-COMPACT

## Back to Wall | Water Closet

**RAK**  
CERAMICS



### Technical specifications

Dimensions: 510 x 370 mm

Weight: 21 Kg

Color: Alpine White

Trap type: P Trap & S Trap

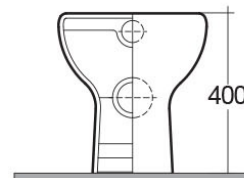
Trapway type: Concealed

Seat cover options: Urea

Bowl shape: Round

Dual flush: yes

Suites: [RAK-COMPACT](#)



| Code | Name |
|------|------|
|------|------|

|           |   |
|-----------|---|
| COMBTWPAN | COMPACT WATER CLOSET BACK TO WALL P S-TRAP 51CM |
|-----------|---|

Dimensions: All dimensions in mm tolerance  $\pm 5\%$  for below 200mm and  $\pm 3\%$  for above 200mm.

Note: Due to a continuing development programme to improve design and performance, the manufacturer reserves all rights to vary specifications without prior information.

Please note accessories are for photographic use only.