

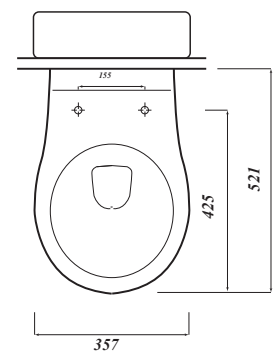
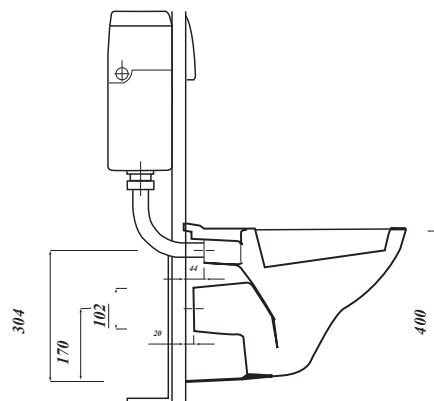
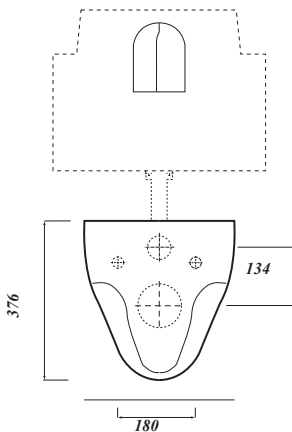
## KOTA WALL HUNG PAN



<b>Product Code</b>	<b>CKOTPANWH</b>
<b>Outlet</b>	Horizontal
<b>Weight (Kg)</b>	14.5
<b>Fixing kit included</b>	No
<b>Material</b>	Vitreous China
<b>Flushing Volume (Ltr)</b>	6/4

### Key features:

- UKCA compliant
- Modern compact design
- Lifetime ceramic guarantee\*



All dimensions are approximate and subject to normal ceramic variation. Although every effort is made not to change the above product specification, R.T. Large reserve the right to do so without prior notification if necessary. \*Against manufacturers defects. Full information on guarantees available upon request.