

## KOTA 50CM BASIN 2TH



<b>Product Code</b>	<b>CKOTBAS502TH</b>
<b>Weight (Kg)</b>	9.5
<b>Material</b>	Vitreous China
<b>Tap holes</b>	2
<b>Suitable Pedestals</b>	Full ped - CKOTPEDF Half ped - CKOTPEDSM

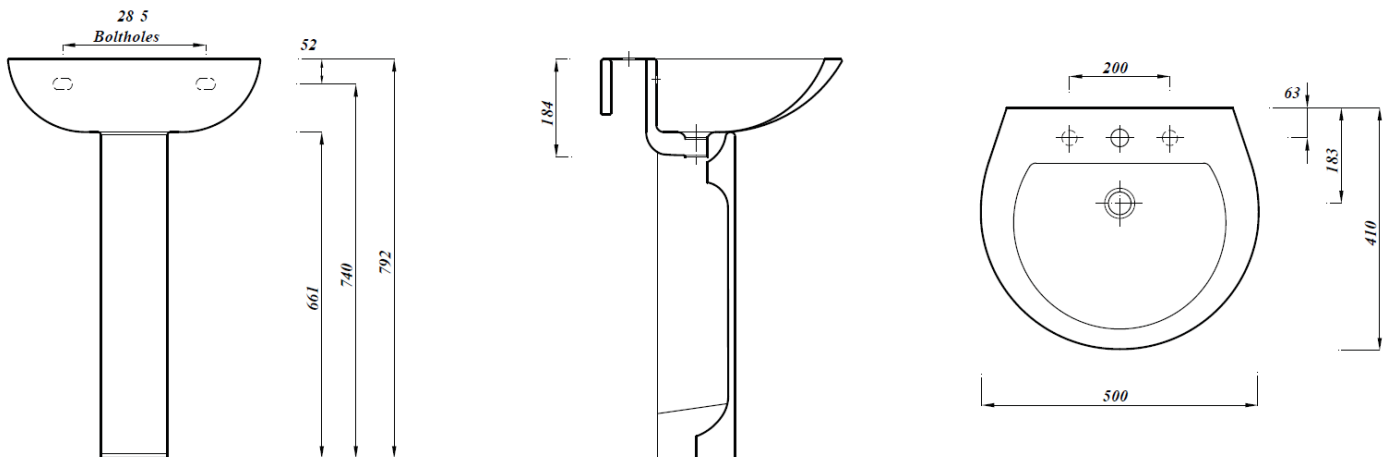
\*1th version shown

### Key features:

- UKCA compliant
- Internal overflow
- Clean design
- Chrome effect overflow ring

### Description:

Simple styling never goes out of fashion.



All dimensions are approximate and subject to normal ceramic variation. Although every effort is made not to change the above product specification, we reserve the right to do so without prior notification if necessary. Lifetime ceramic guarantee against manufacturers defects. Full information on guarantees available upon request.