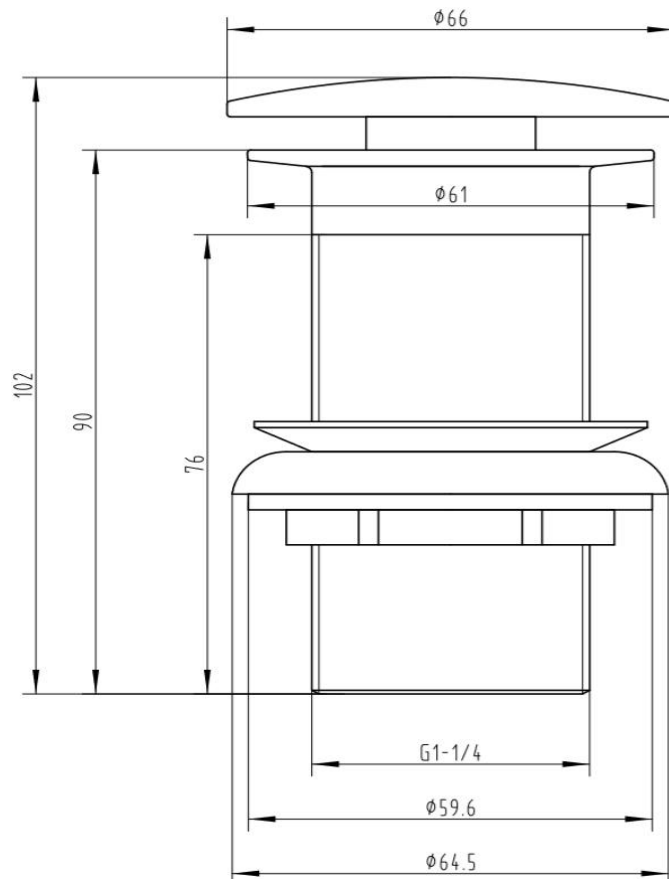


TECHNICAL DATA SHEET

ERLAWA91BB Unslotted Sprung Basin Waste

Barcode	7427042694197
Product Code	ERLAWA91BB
Construction	SS202 Stainless steel Body; SS304 Stainless steel Cover; Brass clic-clac Spring
Finishes	Brushed Brass
Product Type	Contemporary
Water Pressure	Min. 0.2 bar, Max. 5.0 bar
Plumbing Systems	Suitable for all plumbing systems
Certification	-
Fitting	SS202 G1-1/4" BSP Male Thread (Outside Diameter 40.5+/-0.25mm)
Packaging	47.5 x 25.5 x 40.5cm /carton (60 boxes), Dimension: 11.5 x 7.5 x 7.5cm /box; Weight: 0.235Kg / box
Guarantee	6 months against manufacturing faults (excluding serviceable parts)
Additional Information	Size: 90mm tall



Flow Rates (Litres per minute)

System Pressure	0.1 Bar	0.2 Bar	0.3 Bar	0.5 Bar	1.0 Bar	1.5 Bar	2.0 Bar	3.0 Bar	4.0 Bar	5.0 Bar
ERLAWA91BB	-	-	-	-	-	-	-	-	-	-

The information contained on this page was correct at date of issue. Fitting dimensions are provided as a guide only. Some variation may occur due to manufacturing tolerances. We pursue a policy of continuing improvement in design and performance of our products and so reserve the right to change specifications without prior notice.