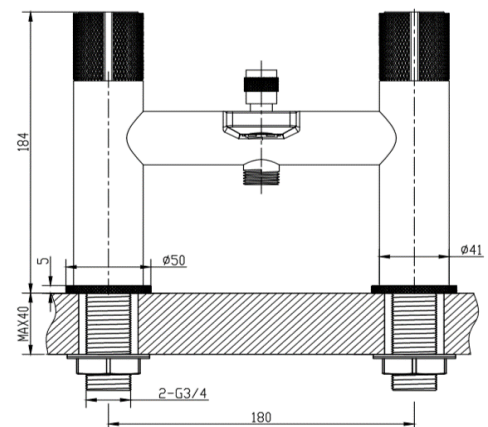
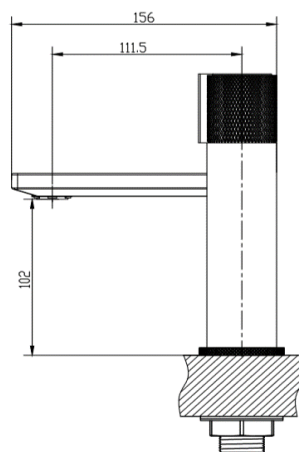


## TECHNICAL DATA SHEET

### ERLA04BB Deck Mounted Bath Shower Mixer (Inc. Shower Kit)

<b>Barcode</b>	-
<b>Product Code</b>	ERLA04BB
<b>Construction</b>	Brass Body (CuZn40Pb2), EN CW617N (equivalent to BS CZ122) Zinc alloy Handle
<b>Finishes</b>	Brushed Brass
<b>Product Type</b>	Contemporary
<b>Water Pressure</b>	Min. 0.5 bar, Max. 6.0 bar
<b>Plumbing Systems</b>	Suitable for all plumbing systems
<b>Standards</b>	Complies with BS5412, BS EN200
<b>Certification</b>	-
<b>Cartridge</b>	1/4 Turn 3/4" Ceramic Disc Valves
<b>Aerator</b>	Spout Aerator
<b>Fitting</b>	Brass G3/4" BSP tails
<b>Packaging</b>	53 x 38 x 37cm / Carton (4 boxes), Dimension: 28 x 24 x 18cm / box; Weight: 3.75Kg / box
<b>Guarantee</b>	10 years against manufacturing faults (excluding serviceable parts)
<b>Additional Information</b>	Supplied with Brushed Brass , ABS Shower handset & holder and Smooth PVC , 1.5m Shower hose



#### Flow Rates (Litres per minute)

System Pressure	0.1 Bar	0.2 Bar	0.3 Bar	0.5 Bar	1.0 Bar	1.5 Bar	2.0 Bar	3.0 Bar	4.0 Bar	5.0 Bar
<b>ERLA04BB spout</b>	6.4	8.5	10.2	13.0	18.3	22.4	25.9	31.4	36.5	-
<b>ERLA04BB handset</b>	7.9	10.5	12.9	16.4	22.4	27.6	31.3	38.3	44.2	-

The information contained on this page was correct at date of issue. Fitting dimensions are provided as a guide only. Some variation may occur due to manufacturing tolerances. We pursue a policy of continuing improvement in design and performance of our products and so reserve the right to change specifications without prior notice.