

## URINAL BOWL 50CM (EXPOSED) - NO TRAP



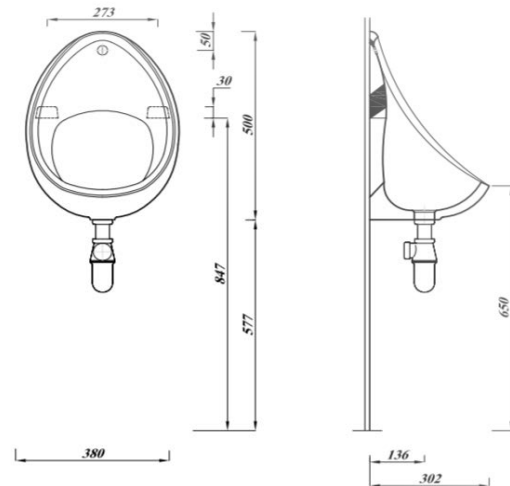
<b>Product Code</b>	<b>CKOTURI500</b>
<b>Weight (Kg)</b>	10
<b>Material</b>	Vitreous White
<b>Waterless</b>	N
<b>Colour</b>	White
<b>Waste</b>	38mm waste outlet/32mm auto-cistern outlet
<b>Flushing volume (ltr)</b>	4.5/9litres
<b>Flushing mechanism</b>	Autosyphon

### Key features:

- Exposed or concealed inlet
- UKCA compliant
- Waterless option available
- Pick up-packs available
- Lifetime ceramic guarantee\*

### Description:

This conventional urinal is perfect for any commercial setting. Its simple design makes it easy to clean and maintain. The use of an autosyphon prevents excessive flushing in high traffic areas. This urinal is also available in a waterless pack to take water saving to the max!



All dimensions are approximate and subject to normal variation. Although every effort is made not to change the above product specification, RT Large reserve the right to do so without prior notification if necessary. \*Against manufacturers defects. Full information on guarantees available upon request.