

SIDE INLET LOW LEVEL CISTERN (SHELL ONLY)



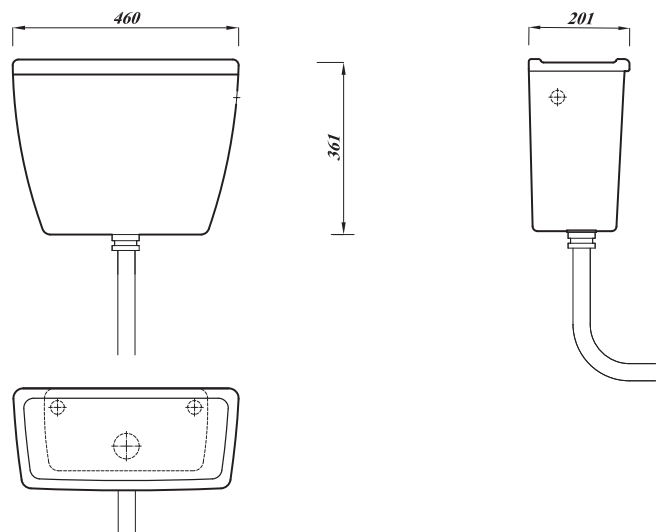
Product Code	CKOTTANLLS
Flushing Volume (Ltr)	6/4
Weight (Kg)	14.1
Cistern fittings included	No
Pre-Installed/Bagged	N/A
Material	Vitreous China
Flushing Mechanism	Dual Flush Lever
Inlet	Side Inlet RH

Key features:

- UKCA compliant
- Side inlet internal overflow
- Cistern can be fixed to a wall

Description

A classic style low level cistern, perfect for commercial installations and replacements. SISO - Suitable for side inlet valve only.



All dimensions are approximate and subject to normal ceramic variation. Although every effort is made not to change the above product specification, RT Large reserve the right to do so without prior notification if necessary. Lifetime ceramic guarantee against manufacturers defects. Full information on guarantees available upon request.