

TECHNICAL DATA SHEET

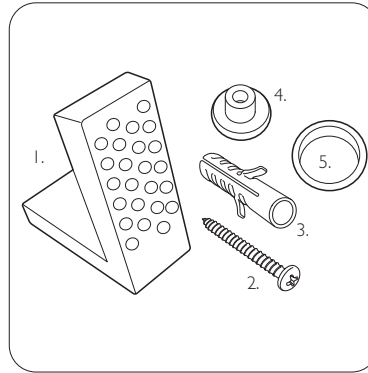
Loft Back To Wall WC Pan - DCI 4026

TAVISTOCK

NO.	Description	Product Code	Fixings included	Gross Weight
1	Soft Close Lift Off Toilet Seat	DCI 4030	YES	2KG
2	Rimless Back to Wall WC	DCI 4026	YES	23.7KG



Floor Fixings



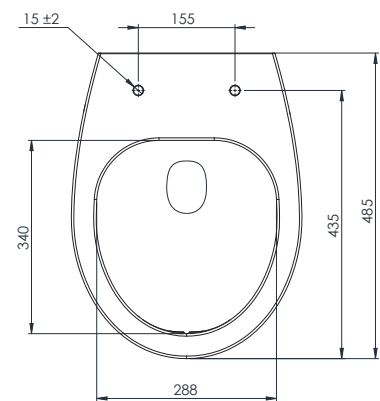
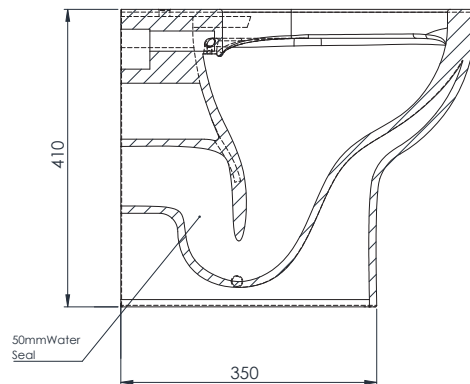
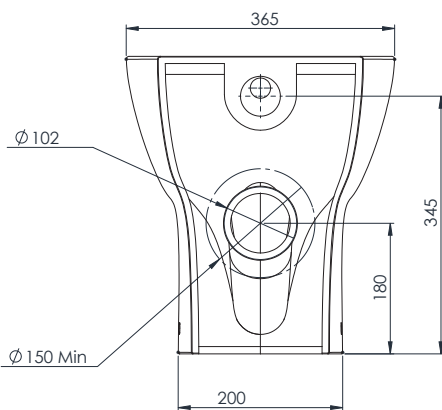
- 1. 2x Nylon Floor Bracket
- 2. 4x Stainless Steel Screws
- 3. 2x Nylon Screw Plugs
- 4. 2x Nylon Screw Collars
- 5. 2x Nylon Collar Caps (Metalic Finish)

Spare Code: SP14211

DIMENSIONS

DIAGRAMS NOT TO SCALE | ALL DIMENSIONS IN MM TOLERANCE OF ± 5MM

ALL PRODUCTS CONFORM TO BRITISH STANDARDS



*Dimensions are subject to change, customers are advised to measure actual product before commencing installation.

**Fixing point dimensions are for guidance only. The positions of fixings must be checked when product is received.

FAQs

Q - Are there any other compatible seats?

A - Alpine (O803SC-SF)

Q - Which concealed cistern do I use?

A - Vortex (VOR790) or Apex (TR9002), depending on whether the water feed is bottom or side access. An In-Wall cistern (TR9009) is available for tiled-in installations.

Q - Rim type?

A - Rimless

Key Dimensions Descriptions	Key Dimensions (mm)
Front to Back Footprint	350mm
Left to Right Footprint	200mm
Bowl Front to Back	340mm
Bowl Left to Right	288mm
Pan Height	410mm
Pan Overall front to Back	485mm
Centre Flush Inlet to Floor	345mm
Centre Waste Outlet to Floor	180mm
Width of Void	180mm
Is there a Ceramic Brace Bar	No
Distance from Spigot to back of Pan	0mm