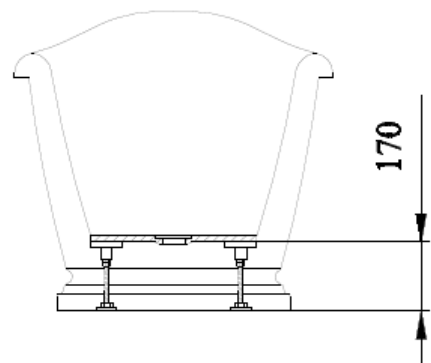
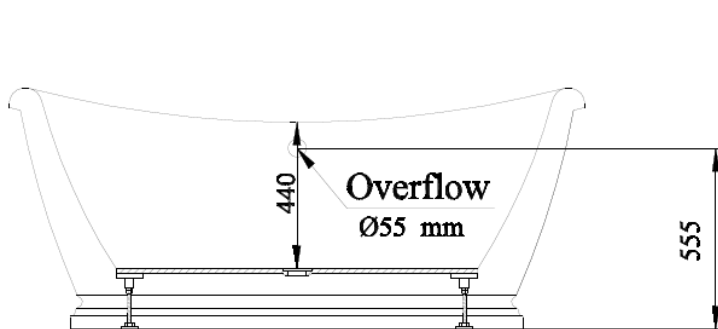
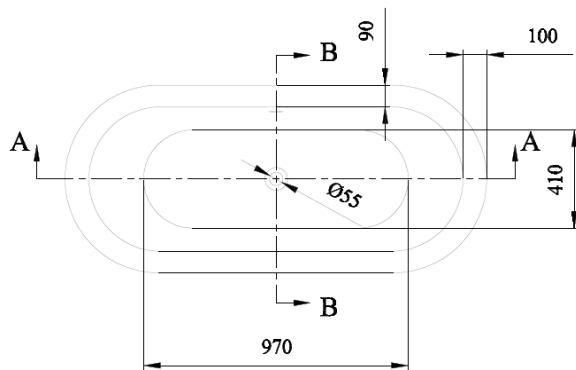
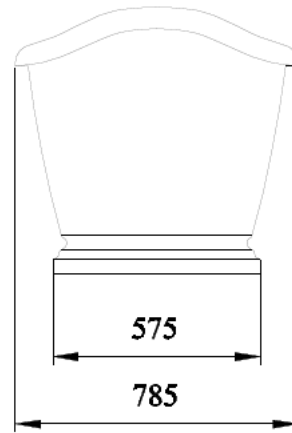
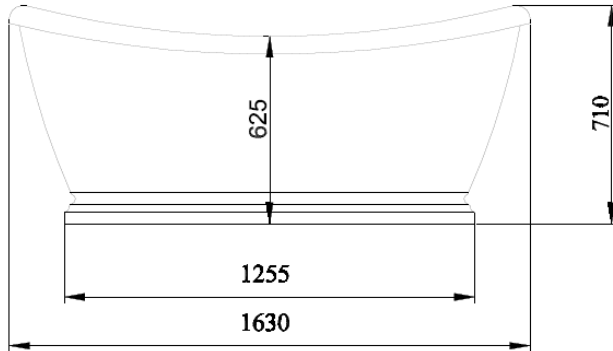


## Technical Data Information

**Product Code:** A693/16  
**Information:** Alexander Bath

**Overall Dimensions:** H: 710 x D: 785 x W: 1630



All Dimensions are in millimetres. The information contained on this page was correct at date of issue. Fitting dimensions are provided as a guide only. Some variation may occur due to manufacturing tolerances. We pursue a policy of continuing improvement in design and performance of our products and so reserve the right to change specifications without prior notice.