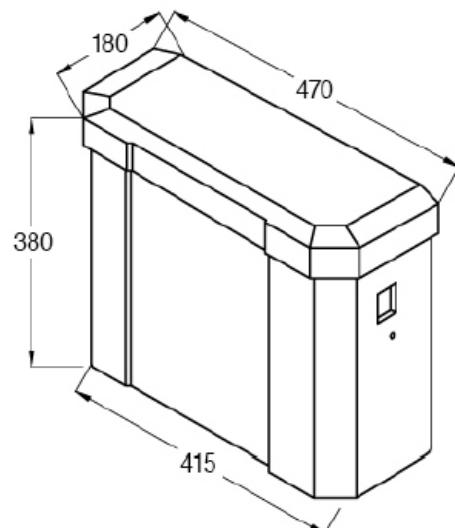
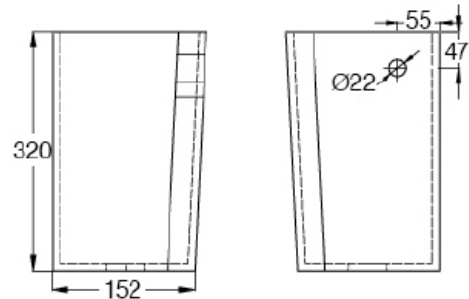
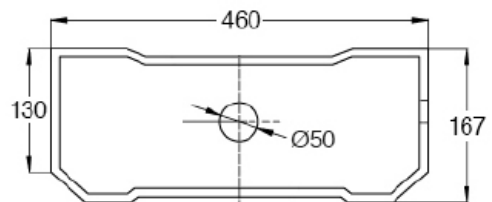


Technical Data Information

Product Code:	UNCS872B
Information:	Richmond High Level Cistern Colour: White Material: Vitreous China Weight: 14.64Kg Operating Type: Lever
Tank Dimensions:	H: 380 x D: 180 x W: 470



All Dimensions are in millimetres. The information contained on this page was correct at date of issue. Fitting dimensions are provided as a guide only. Some variation may occur due to manufacturing tolerances. We pursue a policy of continuing improvement in design and performance of our products and so reserve the right to change specifications without prior notice.