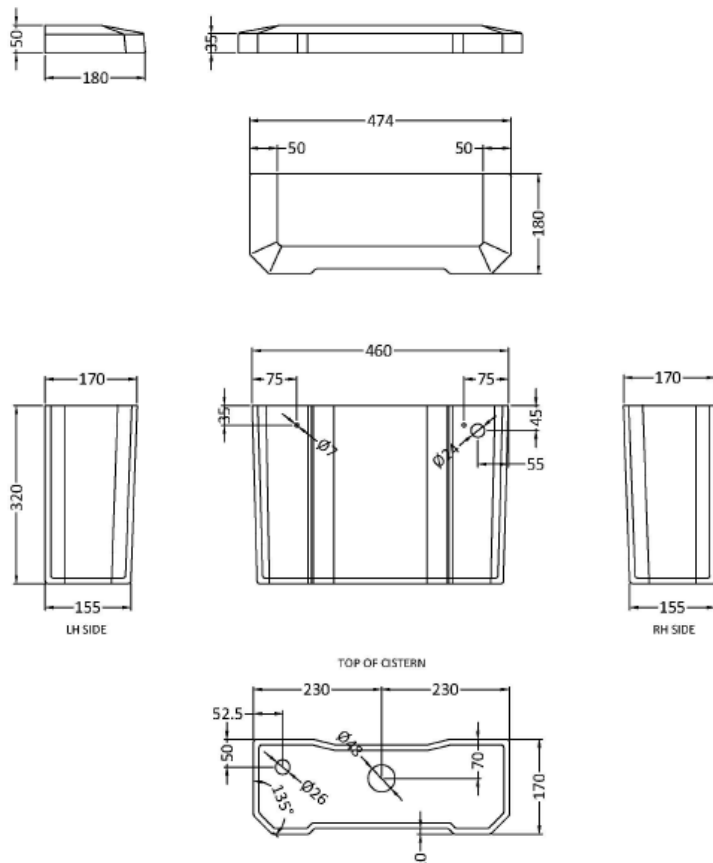


Technical Data Information

Product Code: UNCS871B
Information: Richmond LL Cistern
Colour: White
Material: Vitreous China
Operating Type: Lever
Weight: 14.5Kg

Tank Dimensions: H: 370 x D: 180 x W:474



All Dimensions are in millimetres. The information contained on this page was correct at date of issue. Fitting dimensions are provided as a guide only. Some variation may occur due to manufacturing tolerances. We pursue a policy of continuing improvement in design and performance of our products and so reserve the right to change specifications without prior notice.