

Technical Data Information

Product Code: UNBV119

Information:

Vessel 480x370x130mm

Product MATERIAL: Vitreous China

Basin Tap holes: One Tap hole

Includes Overflow: No

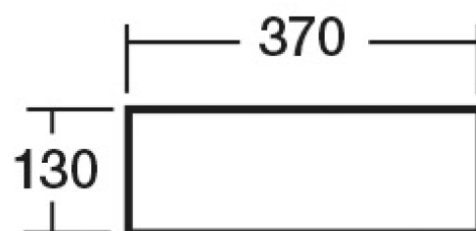
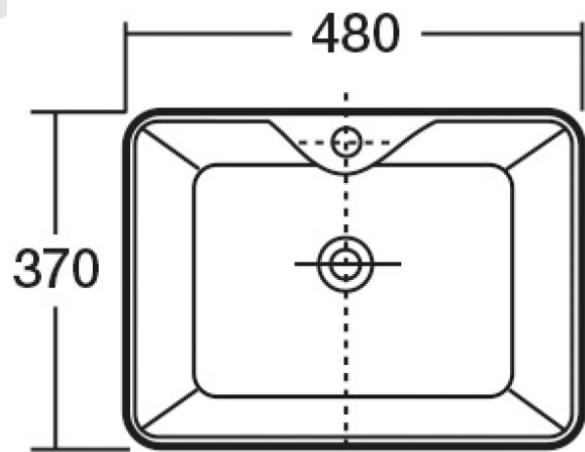
Weight: 12.06Kg

Inner Bowl Dimension – Height: 105mm

Inner Bowl Dimension – Width: 460mm

Inner Bowl Dimension – Depth: 275mm

Overall Dimensions: H: 130 x D: 370 x W: 480



All Dimensions are in millimetres. The information contained on this page was correct at date of issue. Fitting dimensions are provided as a guide only. Some variation may occur due to manufacturing tolerances. We pursue a policy of continuing improvement in design and performance of our products and so reserve the right to change specifications without prior notice.