

## Technical Data Information

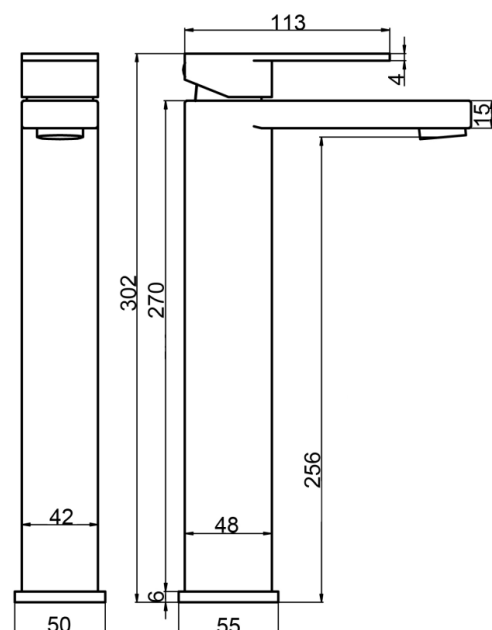
<b>Product Code:</b>	TR08
<b>Information:</b>	Aurora Tall Mono Basin Mixer
<b>Construction</b>	Brass Body CuZn40Pb2, EN CW617N (equivalent to BS CZ122)
<b>Finishes</b>	Chrome plated to BS EN 248
<b>Product Type</b>	Contemporary
<b>Water Pressure</b>	Min. 0.2 bar, Max. 6.0 bar
<b>Plumbing Systems</b>	Suitable for all plumbing systems
<b>Standards</b>	Complies with BS5412, BS EN200
<b>Certification</b>	Manufactured to comply with WRAS
<b>Cartridge</b>	35mm Triduo ceramic disc cartridge
<b>Aerator</b>	Neoperl Adjustable Slim Air
<b>Fitting</b>	UK: M10 x 350mm 1/2" BSP Female Flexi Tails EU: M10x350mm 3/8" BSP Female Flexi Tails.
<b>Packaging</b>	50x36.5x35cm/Cartron(8pcs), Box size: 36x24x8cm, Weight: 2.8kg
<b>Guarantee</b>	10 years against manufacturing faults (excluding serviceable parts).
<b>Additional Information</b>	1. Supplied with G 1 1/4" sprung waste(UK only) 2. Incorporates water saving optional feature : Triduo Volume Limiter

## Overall Dimensions:

H: 302 x D: 157 x W: 55



Volume Limiter



All Dimensions are in millimetres. The information contained on this page was correct at date of issue. Fitting dimensions are provided as a guide only. Some variation may occur due to manufacturing tolerances. We pursue a policy of continuing improvement in design and performance of our products and so reserve the right to change specifications without prior notice.