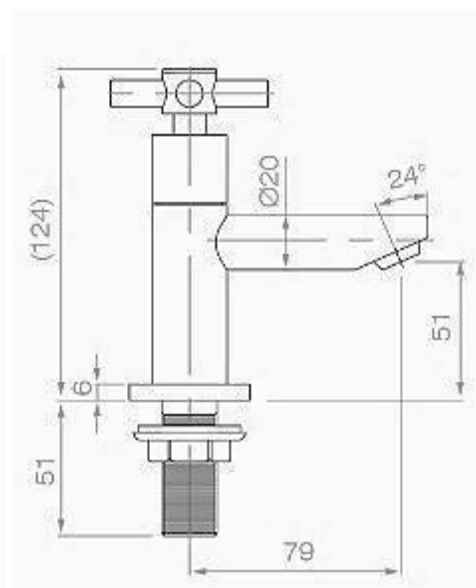
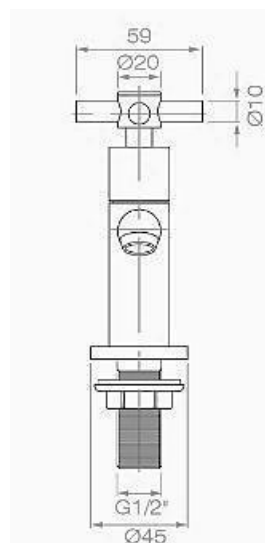


Technical Data Information

Product Code:	TORII02
Information:	Torrian II Basin Taps
Construction	Brass Body CuZn40Pb2, EN CW617N (equivalent to BS CZ122)
Finishes	Chrome plated to BS EN 248
Product Type	Contemporary
Water Pressure	Min. 0.2 bar, Max. 6.0 bar
Plumbing Systems	Suitable for all plumbing systems
Standards	Complies with BS5412, BS EN200
Certification	Manufactured to comply with WRAS
Cartridge	Ceramic Disc Valves
Net Weight (Tap only)	854g
Aerator	Laminar
Fitting	1/2" BSP
Packaging	37 x 36 x 19cm / carton (12 boxes / carton)
Guarantee	10 years against manufacturing faults (excluding serviceable parts).

Overall Dimensions: H: 124 x D: 100 x W: 45



All Dimensions are in millimetres. The information contained on this page was correct at date of issue. Fitting dimensions are provided as a guide only. Some variation may occur due to manufacturing tolerances. We pursue a policy of continuing improvement in design and performance of our products and so reserve the right to change specifications without prior notice.