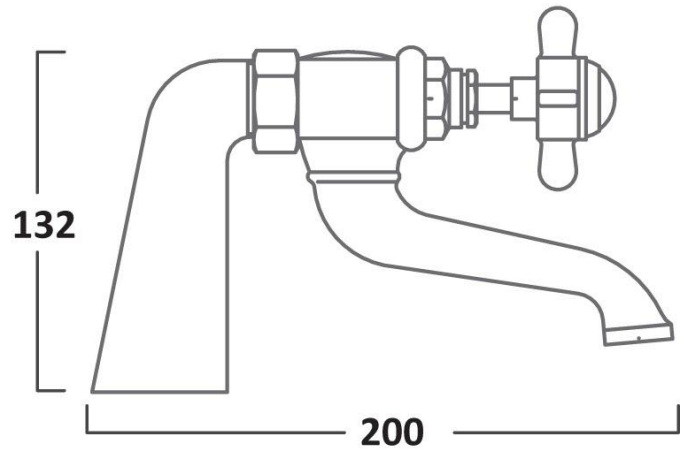
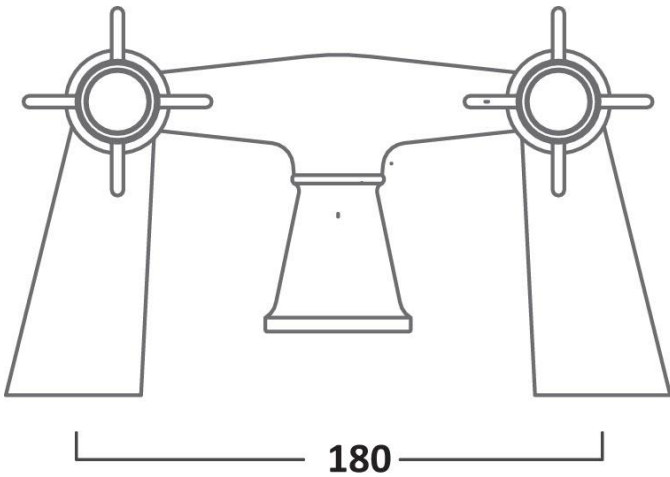




**Varsity Bath Filler**

Product Code	TVA32
Type	Tap
Range	Varsity
Finish	Chrome

- Compliance:**
- Minimum recommended bar pressure 0.1bar
  - Low pressure
  - Ceramic cartridge technology
  - 10 year guarantee



All Dimensions in mm  
Drawings not to scale