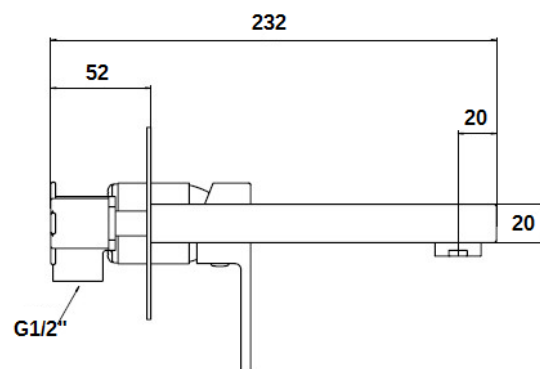
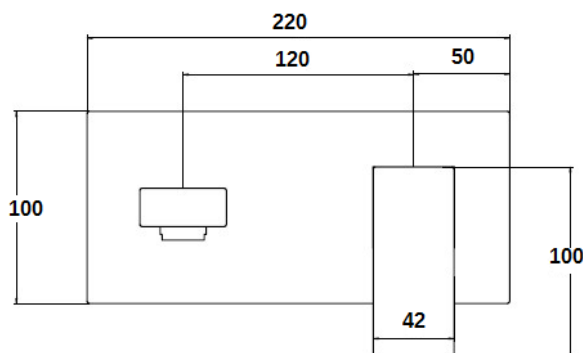
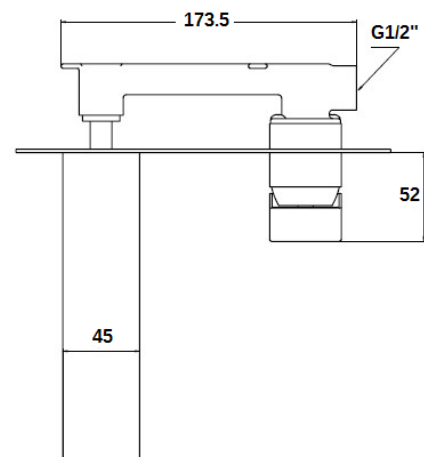


Technical Data Information

| | |
|-------------------------|--|
| Product Code: | AVEC18 |
| Information: | Rydal Wall Mounted Basin Mixer |
| Construction | Brass Body CuZn40Pb2, EN CW617N (equivalent to BS CZ122) |
| Finishes | Chrome plated to BS EN 248 |
| Product Type | Contemporary |
| Water Pressure | Min. 0.2 bar, Max. 6.0 bar |
| Plumbing Systems | Suitable for all plumbing systems |
| Standards | Complies with BS5412, BS EN200 |
| Certification | Manufactured to comply with WRAS |
| Cartridge | 35mm Ceramic Cartridge |
| Fitting | G1/2" Female inlets |
| Guarantee | 10 years against manufacturing faults (excluding serviceable parts). |

Overall Dimensions: H: 100 x D: 232 x W: 220



All Dimensions are in millimetres. The information contained on this page was correct at date of issue. Fitting dimensions are provided as a guide only. Some variation may occur due to manufacturing tolerances. We pursue a policy of continuing improvement in design and performance of our products and so reserve the right to change specifications without prior notice.